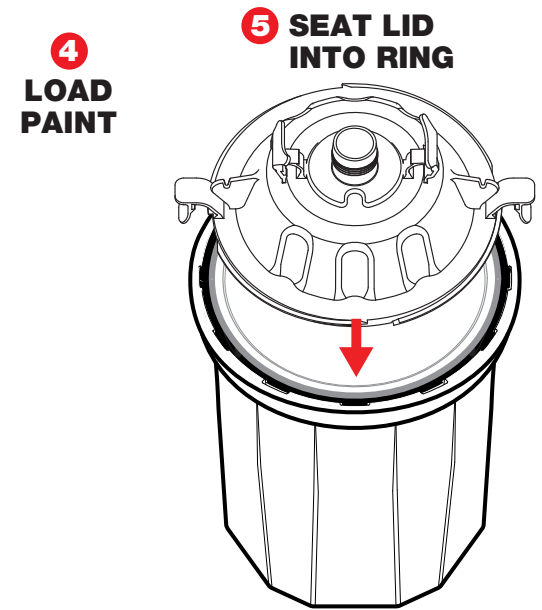
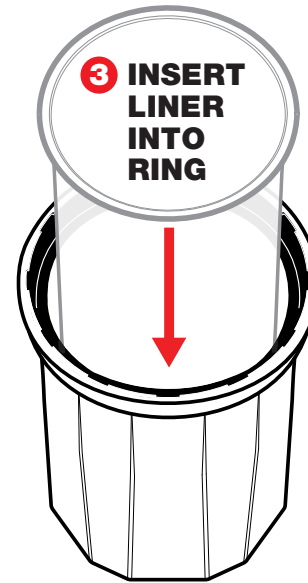
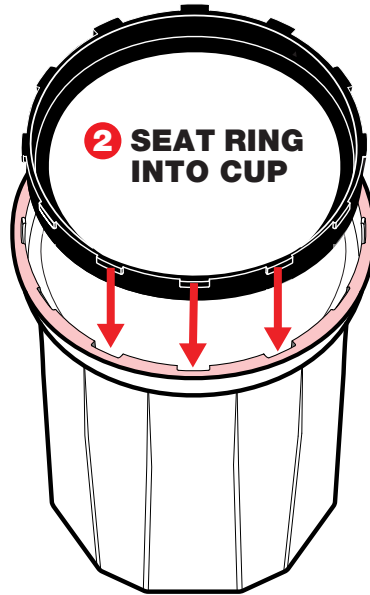
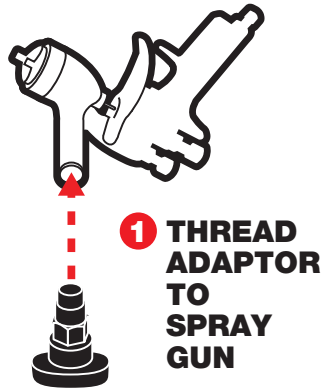
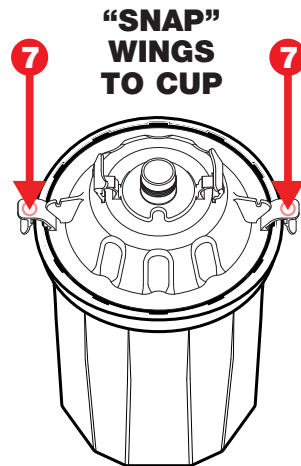
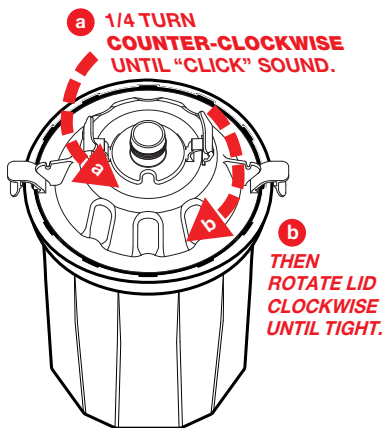


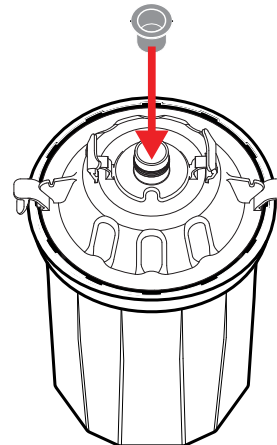
Gerson Paint System – Assembly Instructions



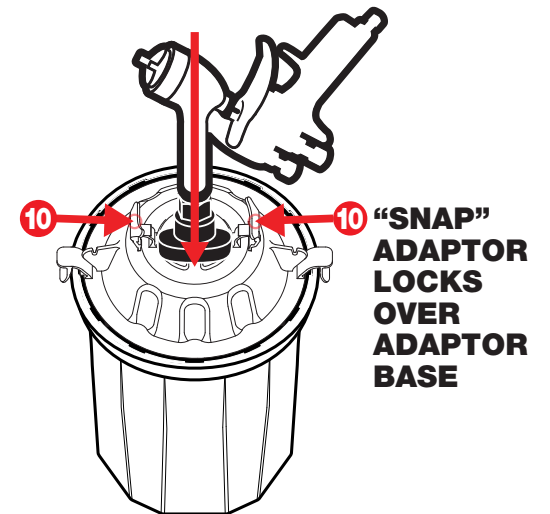
6 **ROTATE LID**



8 **TO SHAKE PAINT**
INSERT PLUG FIRMLY INTO LID TOWER.
ADD SHAKER CAP AND SHAKE PAINT.



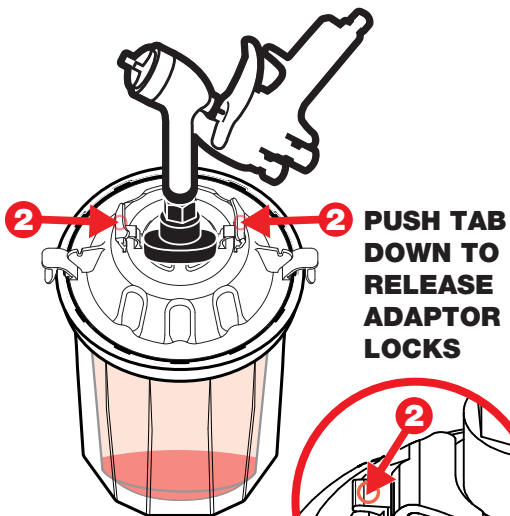
9 **REMOVE PLUG AND MOUNT FLUSH TO LID TOWER BASE**



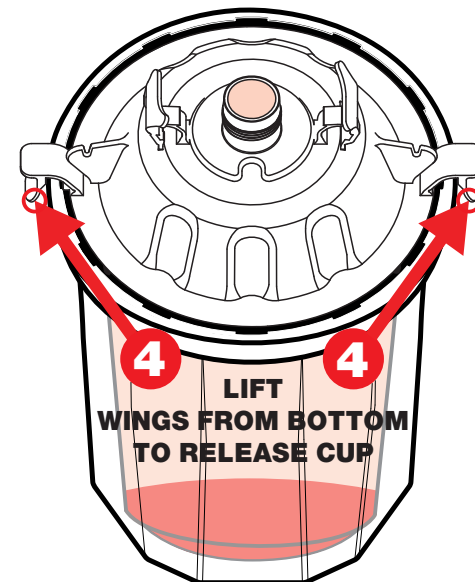
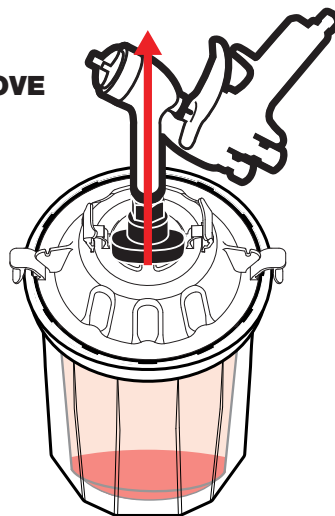
Gerson Paint System – Storage / Disposal* Instructions

STOW ...

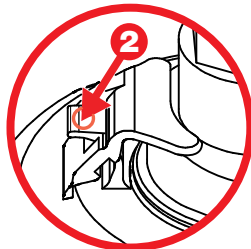
1
PURGE
AIR**



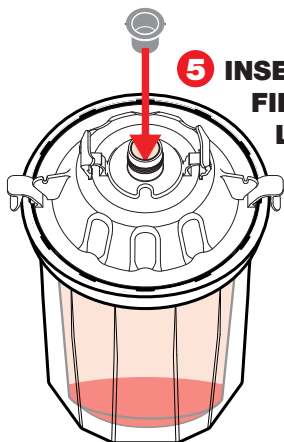
3 REMOVE
GUN



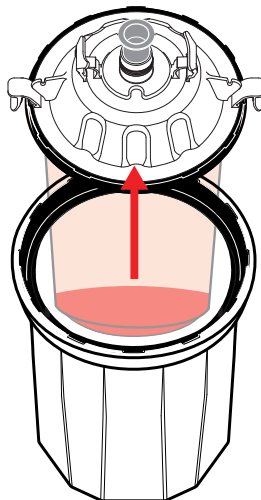
** No need
to purge air
if throwing away.



5 INSERT LID PLUG
FIRMLY INTO
LID TOWER

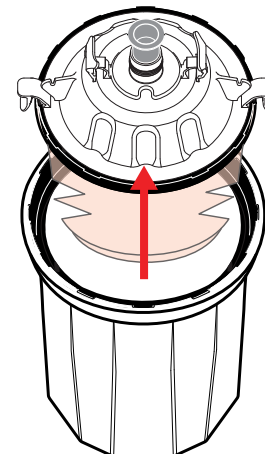


6 SAVE
UNUSED
PAINT
LIFT
UNITIZED
LID/LINER
FROM CUP
AND STOW



... OR THROW.

PLUG & LIFT
UNITIZED
LID/LINER
FROM CUP
& DISPOSE
PROPERLY*



*Dispose in conformance with
local rules and regulations.